

## PRODUCT DATASHEET

Surface Mounted LED Panel Light

**RBL-40/3K/4K/6.5K**



---

### Application

- Office
- School
- Corridor
- Meeting Room
- Retail Stores

---

### Benefits

- Flicker Free.
  - High Light Efficiency, Reduce Dark Space.
  - It Can be Installed in Various Ways, such as Ceiling, Hoisting and Embedding, to
  - Achieve Rich Light and Shadow Space Design.
- LED Panel Light save energy-efficient slim lighting.

---

### Features

- Innovative Modular Design, Easily Connectable for Customizable Installation layouts.
  - 5 Years Warranty.
  - Easy and Quick Installation
  - Aluminum Body for Better Heat Dissipation, Anti-Corrosion, and Easy Maintain.
-

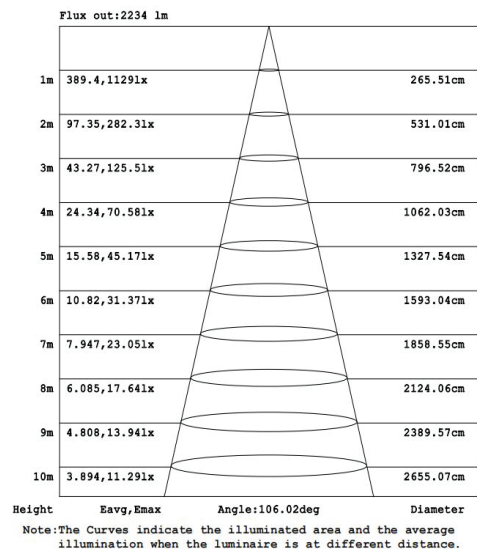
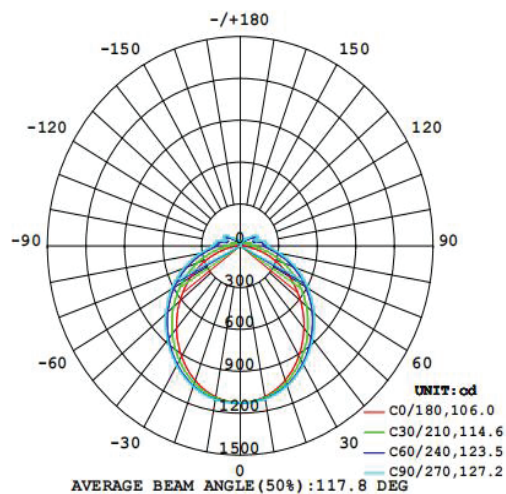
## Electrical Data

Nominal Wattage (W)	40W
Nominal Voltage (V)	220-240V
Mains Frequency (Hz)	50/60Hz
Nominal Current (mA)	125
LED Driver Current (mA)	800
LED Driver Voltage (Vdc)	15-51
LED Displacement Factor (DF)	0.9
Operating Mode	Built it LED Driver

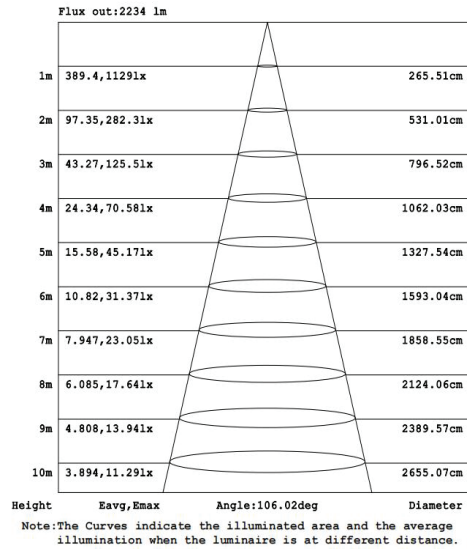
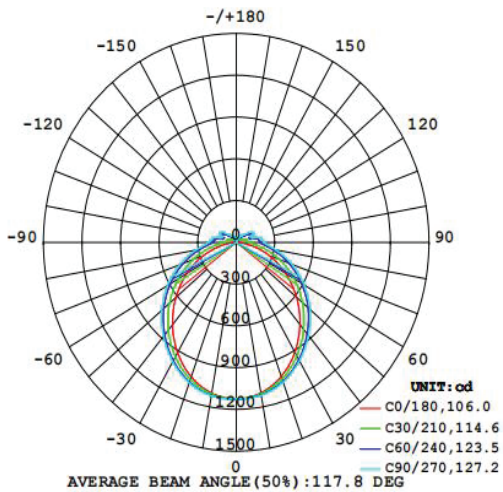
## Photometrical Data

Luminous Flux $\pm 10\%$ (lm)	4400	4600	
Luminous Efficacy (lm/w)	110	115	
Color Temperature	3000K	4000K	6500K
Light Color (Designation)	Warm White	Warm White	Cloudy sky
Color Rendering Index Ra	$\geq 80$		
Standard Deviation of Color Matching	$\leq 5$ SDCM		
Luminous Intensity/cd	1107	1126	
Flickering	Flicker-Free		
Beam Angle	120° - 140°		

### 4000K

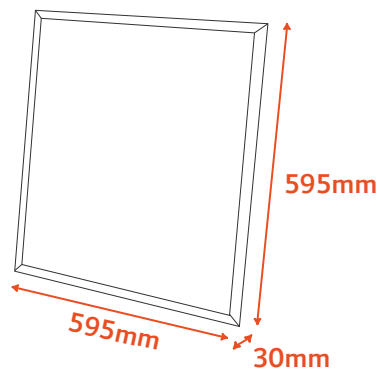


**6500K**



## Dimensions & Weight

Length (mm)	595
Height(mm)	30
Diameter (mm)	595



## Material & Colors

Product Color	All White
Housing Color	White
Body Material	Aluminum
Cover Material	PC
Mercury Content	0.0 mg

### Application & Mounting

Ambient Temperature Range	-20C°~+40C°
Temperature Range at Storage	-20C°~+40C°
Type of Connection	Screw Terminal
Type of Protection	IP44
Dimmable	No
Mounting Type	Surface/Suspendant Mounted
Mounting Location	Ceiling
Application Environment	Indoor
Cut Size (mm)	No
LED Module Replaceable	Not Replaceable
With Light Source	Yes

### Certificates & Lifespan

Lifespan(h)	50000
Number of Switching Cycles	25000
Certificates	CB EMC IECEE SASO
Standards	SASO 2902

### Logistical Data

Product code	Dimensions (L*W*H)	Pcs/carton	G.W. kg	Volume CBM
RBL-40				