









TRANSFORMER LIGHTING

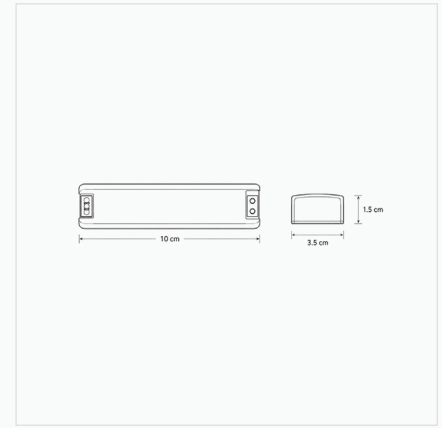
lightingaddress.com





HABDO
LIGHTING

CE ROHS SASO CB ECO IP65

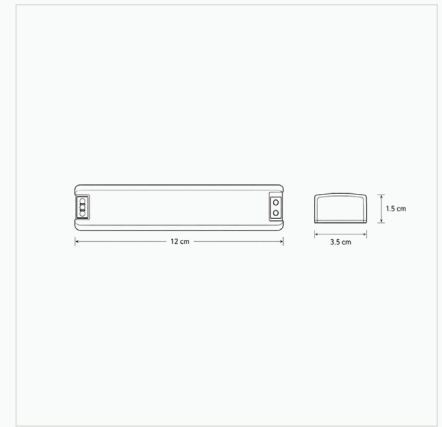
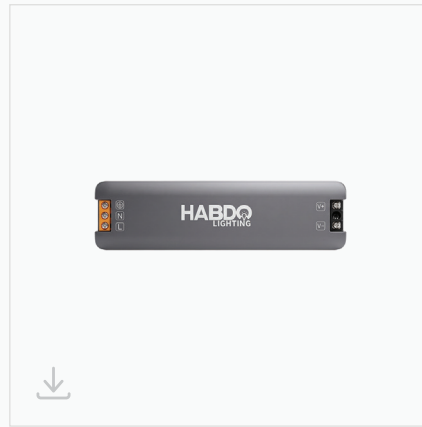
-  INPUT AC 220
-  DIMMER NO
-  IEC CLASS I
-  OUTPUT DC 24V
-  TIME LIFE 30000H
-  IP RAET IP20






CODE NO.	WATT	OPERATING TEMP
1100708N	48W	-10°C TO +50°C



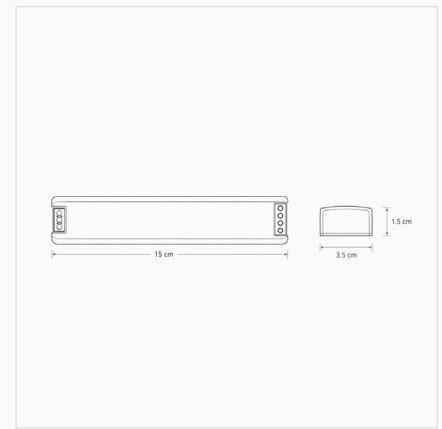
-  INPUT AC 220
-  DIMMER NO
-  IEC CLASS I
-  OUTPUT DC 24V
-  TIME LIFE 30000H
-  IP RAET IP20




CODE NO.	WATT	OPERATING TEMP
11100712N	100W	-10°C TO +50°C



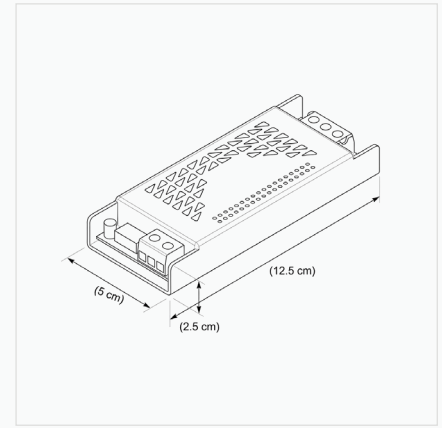
-  INPUT AC 220
-  DIMMER NO
-  IEC CLASS I
-  OUTPUT DC 24V
-  TIME LIFE 30000H
-  IP RAET IP20

CODE NO.	WATT	OPERATING TEMP
1100714N	200W	-10°C TO +50°C



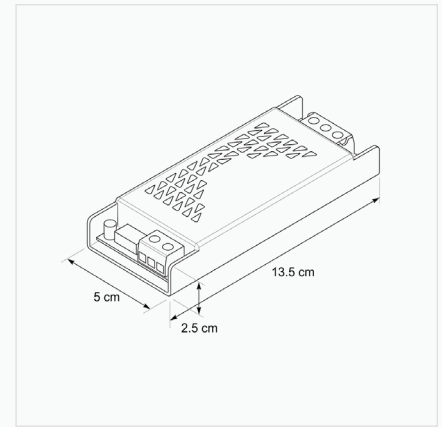
-  INPUT AC 220
-  DIMMER NO
-  IEC CLASS I
-  OUTPUT DC 24V
-  TIME LIFE 30000H
-  IP RAET IP20

CODE NO.	WATT	OPERATING TEMP
1100717-1	36W	-10°C TO +50°C



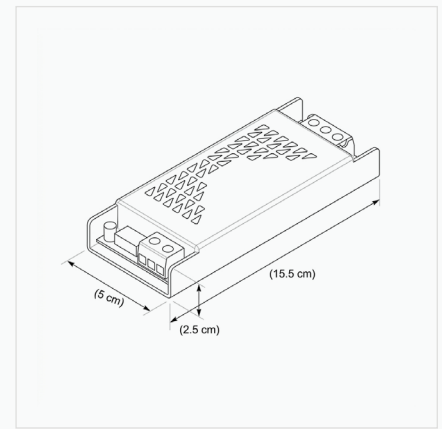
-  INPUT AC 220
-  DIMMER NO
-  IEC CLASS I
-  OUTPUT DC 24V
-  TIME LIFE 30000H
-  IP RAET IP20

CODE NO.	WATT	OPERATING TEMP
1100718-1	60W	-10°C TO +50°C



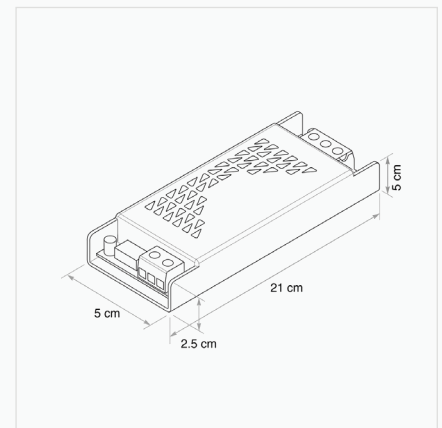
-  INPUT AC 220
-  DIMMER NO
-  IEC CLASS I
-  OUTPUT DC 24V
-  TIME LIFE 30000H
-  IP RAET IP20

CODE NO.	WATT	OPERATING TEMP
1100719-1	100W	-10°C TO +50°C



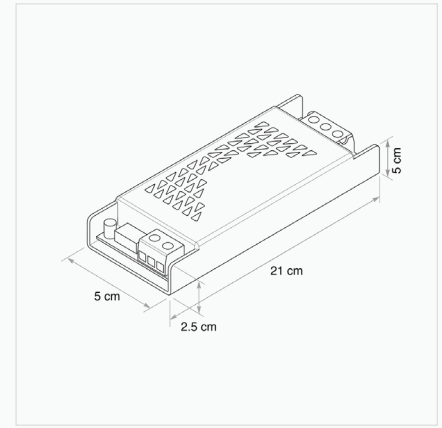
-  INPUT AC 220
-  DIMMER NO
-  IEC CLASS I
-  OUTPUT DC 24V
-  TIME LIFE 30000H
-  IP RAET IP20

CODE NO.	WATT	OPERATING TEMP
1100720-1	150W	-10°C TO +50°C



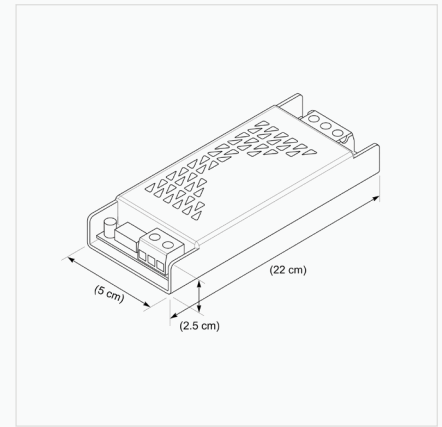
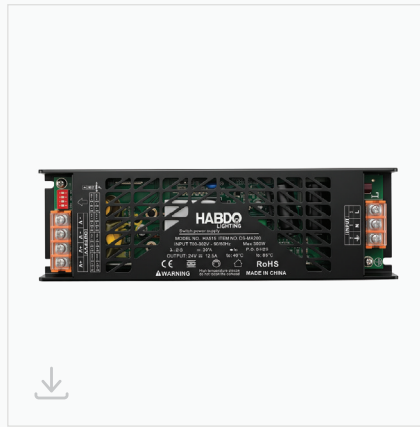
- INPUT AC 220
- DIMMER NO
- IEC CLASS I
- OUTPUT DC 24V
- TIME LIFE 30000H
- IP RAET IP20

CODE NO.	WATT	OPERATING TEMP
1100721-1	200W	-10°C TO +50°C



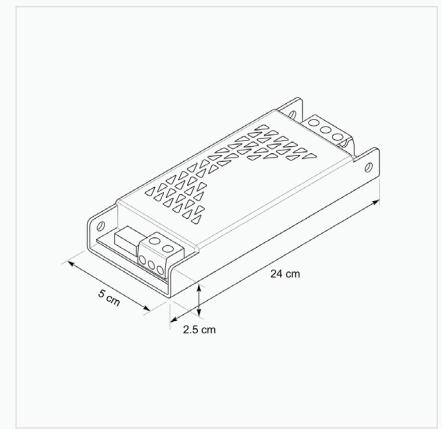
- INPUT AC 220
- DIMMER NO
- IEC CLASS I
- OUTPUT DC 24V
- TIME LIFE 30000H
- IP RAET IP20

CODE NO.	WATT	OPERATING TEMP
1100722-1	300W	-10°C TO +50°C



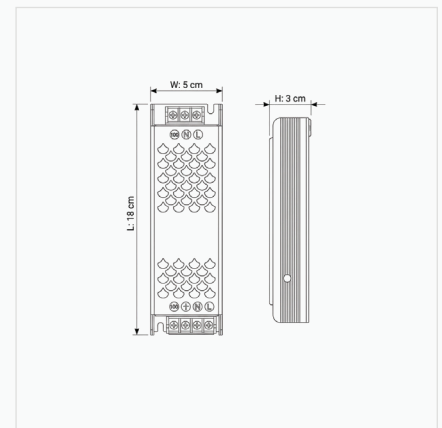
- INPUT AC 220
- DIMMER NO
- IEC CLASS I
- OUTPUT DC 24V
- TIME LIFE 30000H
- IP RAET IP20

CODE NO.	WATT	OPERATING TEMP
1100723-1	400W	-10°C TO +50°C



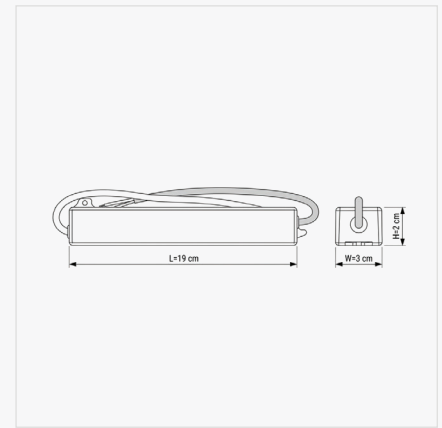
- INPUT AC 220
- DIMMER NO
- IEC CLASS I
- OUTPUT DC 24V
- TIME LIFE 30000H
- IP RAET IP20

CODE NO.	WATT	OPERATING TEMP
1101101	200W	-10°C TO +50°C



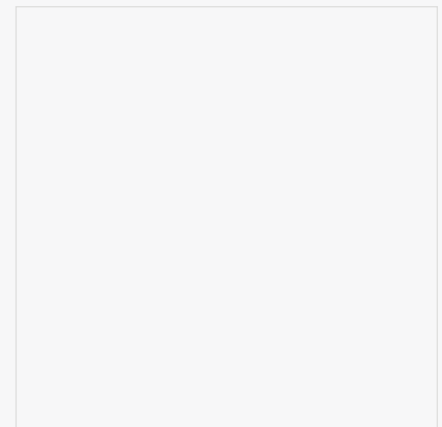
- INPUT AC 220
- DIMMER NO
- IEC CLASS I
- OUTPUT DC 24V
- TIME LIFE 30000H
- IP RAET IP67

CODE NO.	WATT	OPERATING TEMP
1100710	36W	-10°C TO +90°C



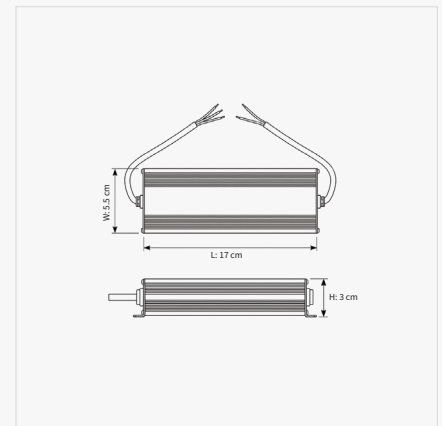
- INPUT AC 220
- DIMMER NO
- IEC CLASS I
- OUTPUT DC 24V
- TIME LIFE 30000H
- IP RAET IP67

CODE NO.	WATT	OPERATING TEMP
1100711-1	60W	-10°C TO +95°C



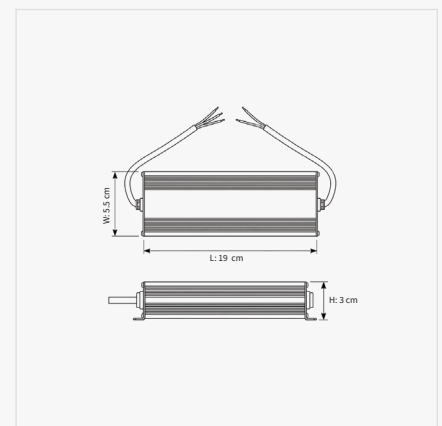
- INPUT AC 220
- DIMMER NO
- IEC CLASS I
- OUTPUT DC 24V
- TIME LIFE 30000H
- IP RAET IP67

CODE NO.	WATT	OPERATING TEMP
1100712-1	100W	-10°C TO +90°C



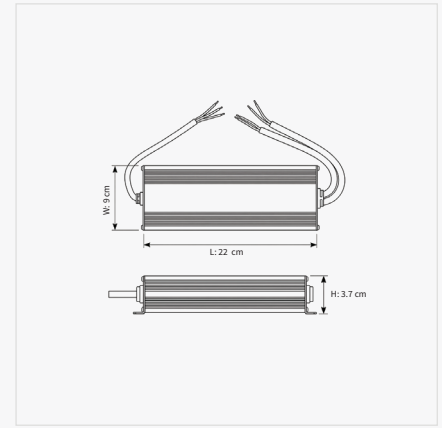
- INPUT AC 220
- DIMMER NO
- IEC CLASS I
- OUTPUT DC 24V
- TIME LIFE 30000H
- IP RAET IP67

CODE NO.	WATT	OPERATING TEMP
1100713-1	150W	-10°C TO +90°C



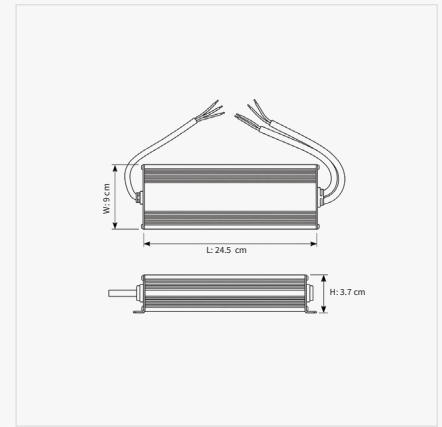
- INPUT AC 220
- DIMMER NO
- IEC CLASS I
- OUTPUT DC 24V
- TIME LIFE 30000H
- IP RAET IP67

CODE NO.	WATT	OPERATING TEMP
1100714-1	200W	-10°C TO +90°C



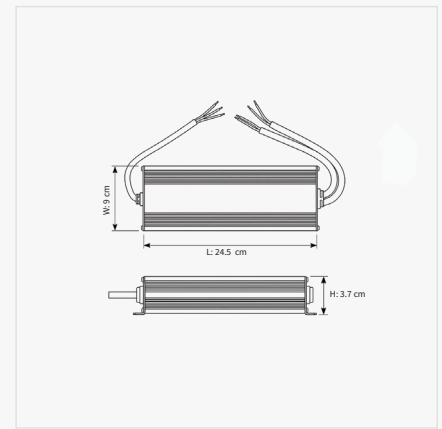
- INPUT AC 220
- DIMMER NO
- IEC CLASS I
- OUTPUT DC 24V
- TIME LIFE 30000H
- IP RAET IP67

CODE NO.	WATT	OPERATING TEMP
1100715-1	300W	-10°C TO +90°C



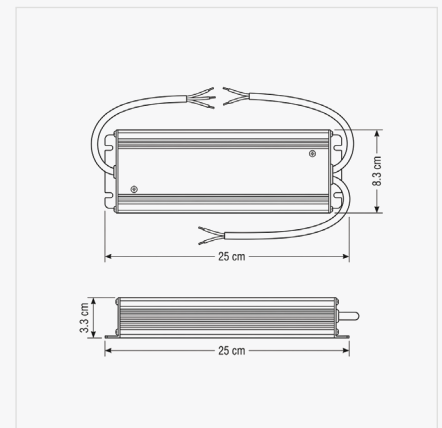
- INPUT AC 220
- DIMMER NO
- IEC CLASS I
- OUTPUT DC 24V
- TIME LIFE 30000H
- IP RAET IP67







CODE NO.	WATT	OPERATING TEMP
1101077-1	400W	-10°C TO +90°C



- INPUT AC 220
- DIMMER NO
- IEC CLASS I
- OUTPUT DC 24V
- TIME LIFE 30000H
- IP RAET IP67

CODE NO.	WATT	OPERATING TEMP
1100715	300W	-10°C TO +50°C



-  INPUT AC 220
-  DIMMER NO
-  IEC CLASS I
-  OUTPUT DC 24V
-  TIME LIFE 30000H
-  IP RAET IP67

CODE NO.	WATT	OPERATING TEMP
1101077	400W	-10°C TO +90°C

